

AMERICAN AVK FIXED CONE VALVE

1610

Flanges to AWWA C207 Class D - Flange size 8" and larger

Manufactured by:



A member of the **AVR** group of companies

Service Conditions:

Heads up to 500 feet of water
(For higher working pressure contact
AVK Engineering Services)

Tests:

Hydraulic tests:

Seat Test: 1.1 rated working pressure for
5 minutes.

Shell Test: 2 times rated working pressure

Standard Materials:

Valve Body,
Seal Retaining Ring Ductile iron ASTM A536
65-45-12
Cast iron ASTM A4876
Class 35B (optional)

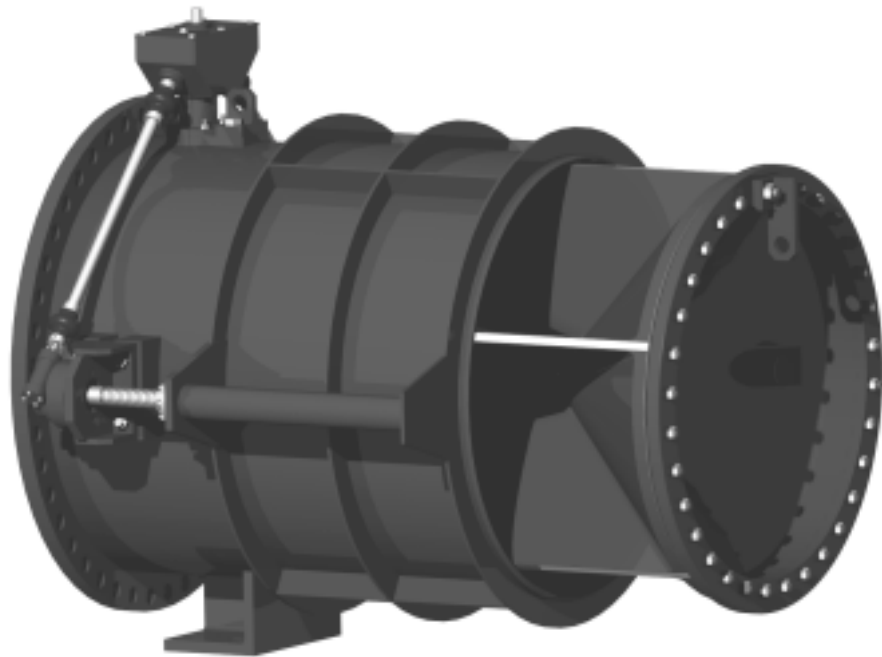
Guide Strips,
Operating Screws Bronze - ASTM C62300

Seal Nitrile

Cylinder Gate Stainless Steel AISI 321

Drive Shafts Low Carbon Steel,
SAE:1111

Fasteners Zinc Plated Steel,
ASTM A153, B633
304,316 Stainless Steel
(optional)



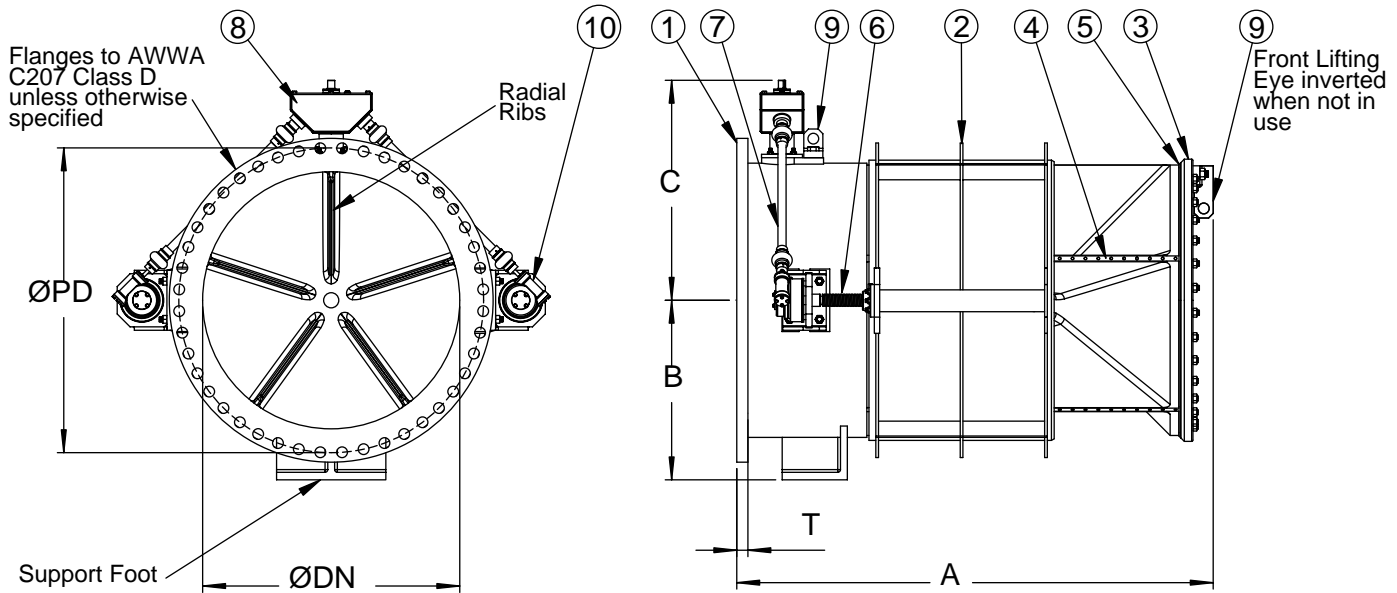
AMERICAN AVK FIXED CONE VALVE

1610

Flanges to AWWA C207 Class D - Valve sizes 8" and larger

Component List

- | | |
|--|------------------|
| 1. Valve Body | 7. Drive Shaft |
| 2. Cylinder Gate (Shown in open position) | 8. Bevel Gearbox |
| 3. Seal Retaining Ring | 9. Lifting Eye |
| 4. Guide Strips | 10. Worm Gear |
| 5. Downstream Seal (Upstream Seal not shown) | |
| 6. Operating Screw | |



DN	A	B	C	Number of Holes	PD	T	Approximate Weight (lbs)
8"	24.13"	8.00"	18.11"	8	11.75"	0.688"	1102
12"	30.00"	10.75"	19.68"	12	17.00"	0.812"	1764
18"	41.50"	15.00"	23.62"	16	22.75"	1.062"	2646
20"	46.50"	16.00"	24.80"	20	25.00"	1.125"	2866
24"	53.25"	18.00"	26.77"	20	29.50"	1.250"	3307
30"	63.75"	21.00"	30.71"	28	36.00"	1.375"	4409
36"	69.75"	24.00"	32.68"	30	42.75"	1.625"	5952
42"	39.37"	28.35"	34.65"	36	49.50"	1.750"	8378
48"	84.00"	33.00"	39.37"	44	56.00"	1.875"	9921
54"	91.14"	36.00"	43.31"	44	62.75"	2.125"	13228
60"	95.12"	40.75"	45.28"	52	69.75"	2.250"	15432
72"	103.50"	49.00"	51.97"	60	82.50"	2.625"	20944
78"	115.00"	56.00"	57.48"	64	89.00"	2.750"	24692

For sizes 84" and larger, contact AVK Engineering Services

