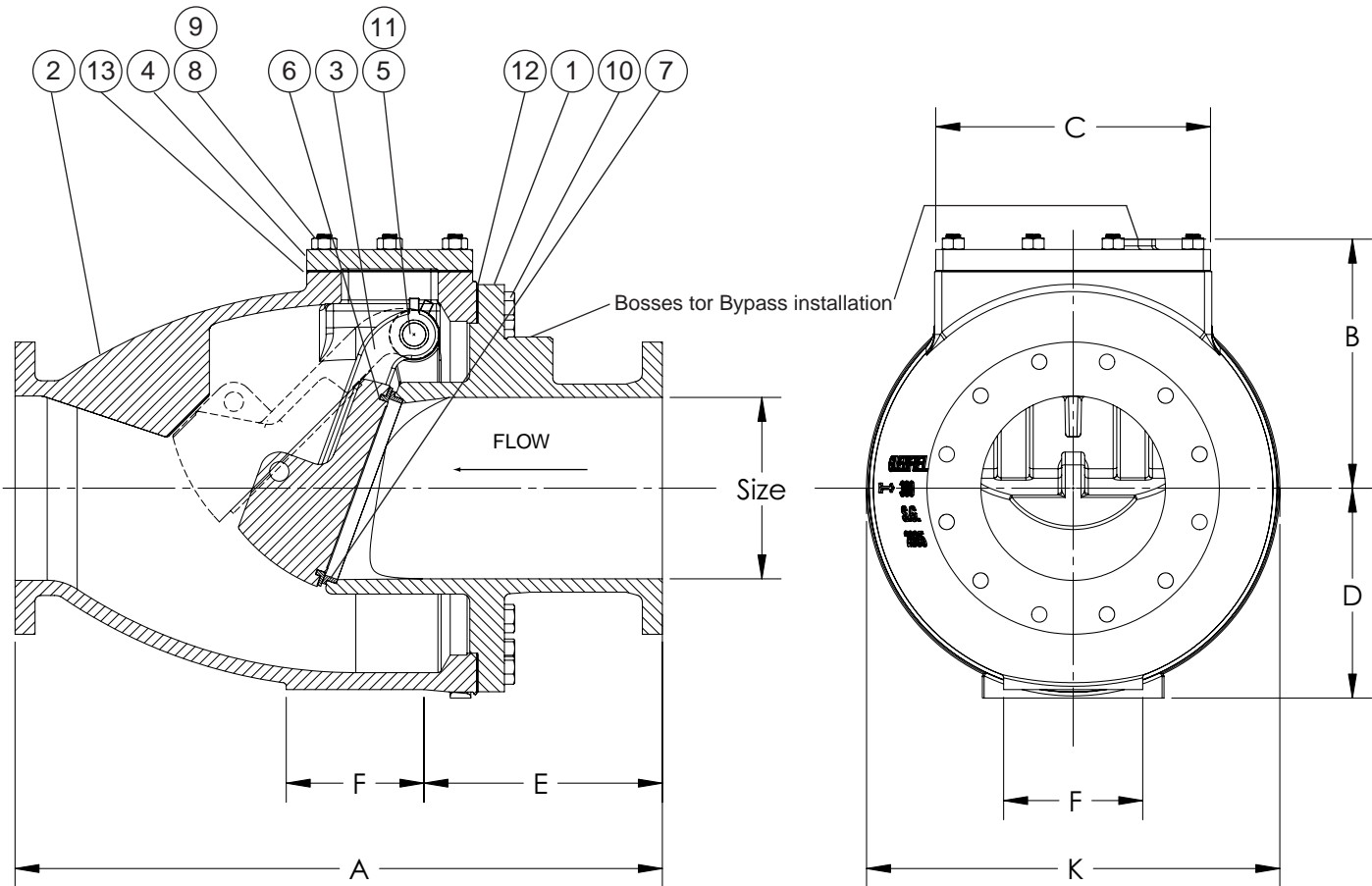




**Component List:**

- |                     |                     |
|---------------------|---------------------|
| 1. Inlet Casing     | 8. Stud             |
| 2. Outlet Casing    | 9. Hex Nut          |
| 3. Door             | 10. Hex Bolt        |
| 4. Inspection Cover | 11. Bushing         |
| 5. Hinge Pin        | 12. Body Ring Joint |
| 6. Face Ring        | 13. Gasket          |
| 7. Seat Ring        |                     |



**Dimensions & Weights:**

Size	A	B	C	D	E	F	K	Bypass Diameter	Wieght Lbs.
4"	19.50"	8.27"	12.25"	5.20"	7.95"	3.94"	12.24"	0.75"	179
6"	24.00"	10.24"	16.22"	7.00"	9.65"	5.12"	16.22"	0.75"	340
8"	30.00"	13.50"	20.98"	8.86"	11.02"	5.90"	20.98"	0.75"	640
10"	38.00"	15.24"	24.41"	11.00"	13.94"	9.01"	24.41"	1.00"	985
12"	42.00"	16.77"	26.89"	13.11"	15.35"	9.01"	26.89"	1.49"	1350
14"	45.00"	18.27"	32.24"	18.00"	15.51"	12.00"	64.50"	1.97"	2150
16"	45.00"	18.27"	32.24"	18.00"	15.51"	12.00"	64.50"	1.97"	2300
18"	48.00"	21.50"	38.50"	22.48"	17.00"	15.98"	77.72"	3.15"	3190
20"	52.00"	25.00"	44.76"	25.98"	15.98"	18.00"	89.53"	3.15"	4300

